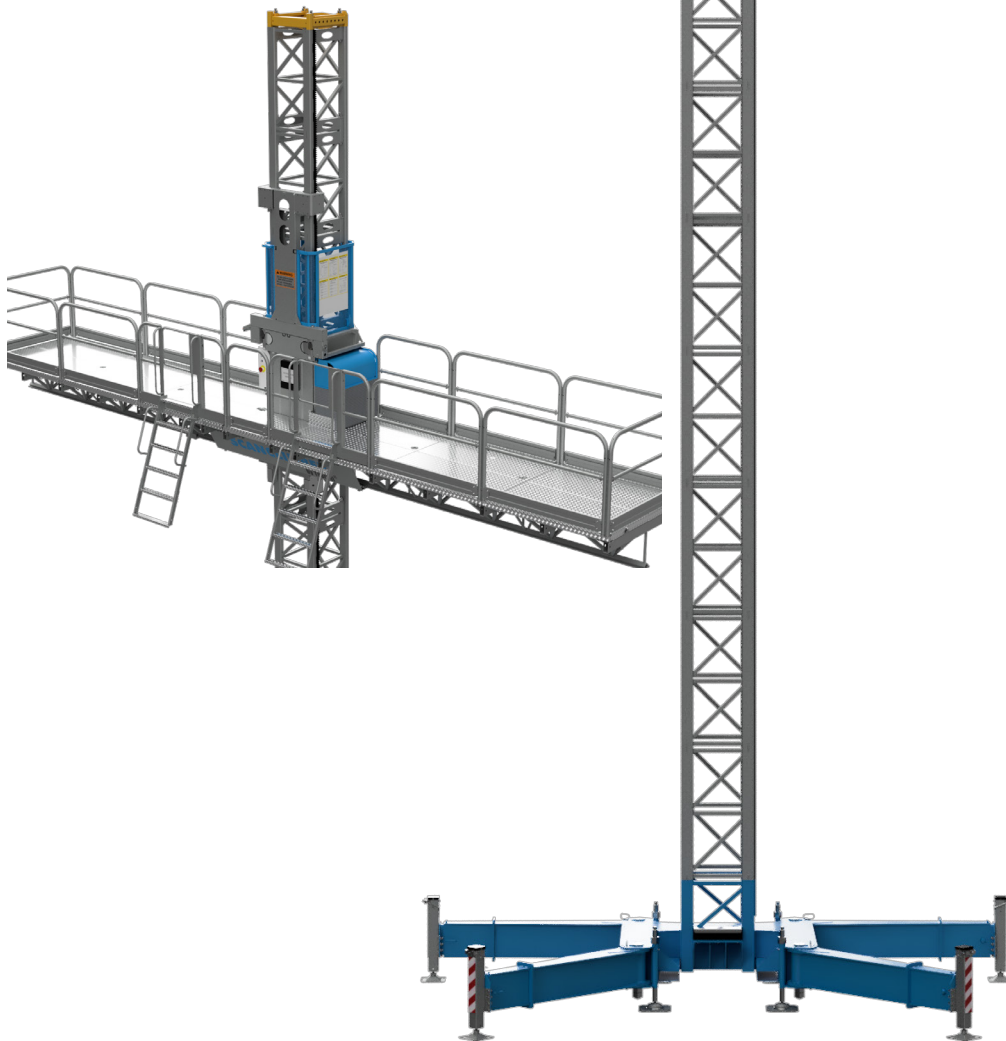


SC

Mast climbing work
platform

Heavy Duty Chassis & Mast Section

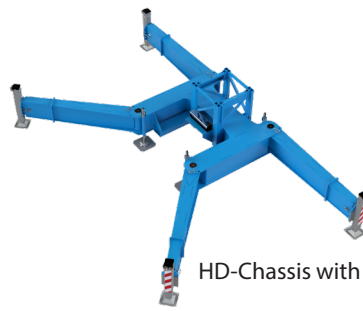
Heavy duty Chassis with stronger mast sections and innovative anchoring technology offers to cut down installation and dismantling costs by increasing the freestanding height and anchoring distances. Rugged and durable HD components are compatible with whole range of our Scaclimber product i.e; SC5000, SC6000, SC8000, SC10000.



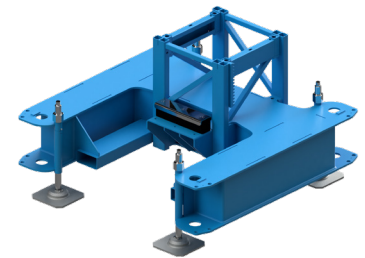
SCANCLIMBER®
by Tractel®

Heavy Duty (HD) Chassis

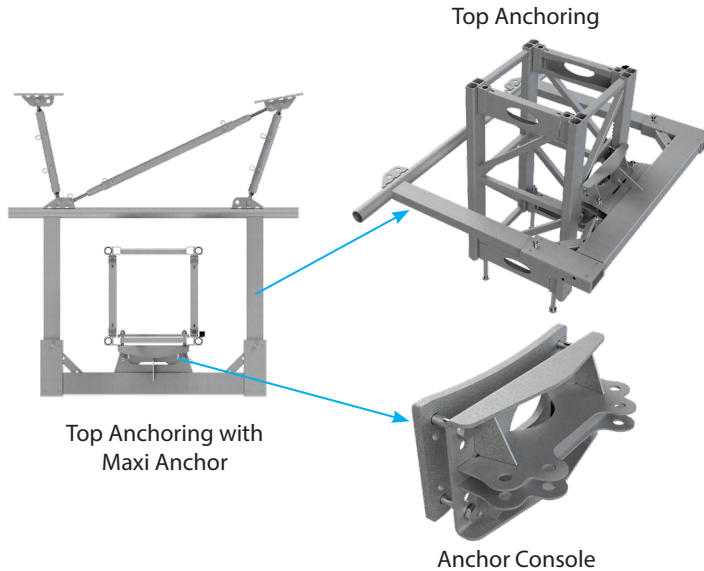
The heavy duty Chassis with HD mast allows you to use Scanclimber Mast Climbing Work Platforms up to 30 meters height freestanding. Not only that but using the Chassis with outriggers, the mast climber can be used up to 55 meters height by only installing the top anchor with the mast.



HD-Chassis with Outriggers



HD-Chassis Base Unit



Top Anchoring

Top Anchoring with Maxi Anchor

Anchor Console

Anchors

The new anchoring technology includes an anchoring console and innovative top anchors which allows more flexibility in installation. The anchoring console enables the anchors (wall as well as top anchor) to be adjusted and fixed to the mast at any position without the need of any additional components.



M70 HD Mast Section

HD Mast Sections

Along with heavy duty Chassis, Scanclimber has a M70 HD mast section for MCWPs which allows more anchoring distance and a large overhang. The new mast sections are essentially stronger but with same dimensions as of our standard mast sections. HD mast section is fully compatible and usable with our standard mast sections with the help of an adapter.

Compatibility

Scanclimber considered all aspects during development of HD Chassis, HD Mast and Anchoring from installation to customer inventory. We made sure that all these product components are fully compatible with any of our mast climbing work platform models and components already in use at the construction sites. **When it comes to compatibility, the HD components can be used with our whole range of Mast Climbing Work Platforms i.e. SC5000, SC6000, SC8000 and SC10000.**

Technical Data

Free Standing Height with Outriggers	30 m
Top Anchor height with Outriggers	55 m
Top Anchor height without Outriggers	46 m
Max. Anchoring Distance	30 m
Max. Overhang (Height after top anchor)	20 m
Mast Section Weight	150 kg
Dimensions of HD Mast Section	0.70 m x 0.70 m x 1.25 m

Scanclimber is the world's technology leader in mast climbing equipment for both temporary and permanent installations.

The company has its corporate head office in Pirkkala, Finland, and manufacturing in Gniezno, Poland.

The company employs more than 200 people in Europe and Asia.

Scanclimber creates value for its customers with high quality, reliable and flexible vertical access solutions.

SCANCLIMBER®
by Tractel®

Scanclimber Oy, Turkkirata 26, FI-33960 Pirkkala | www.scanclimber.com

Tel. +358 10 680 7000, Fax +358 10 680 7033